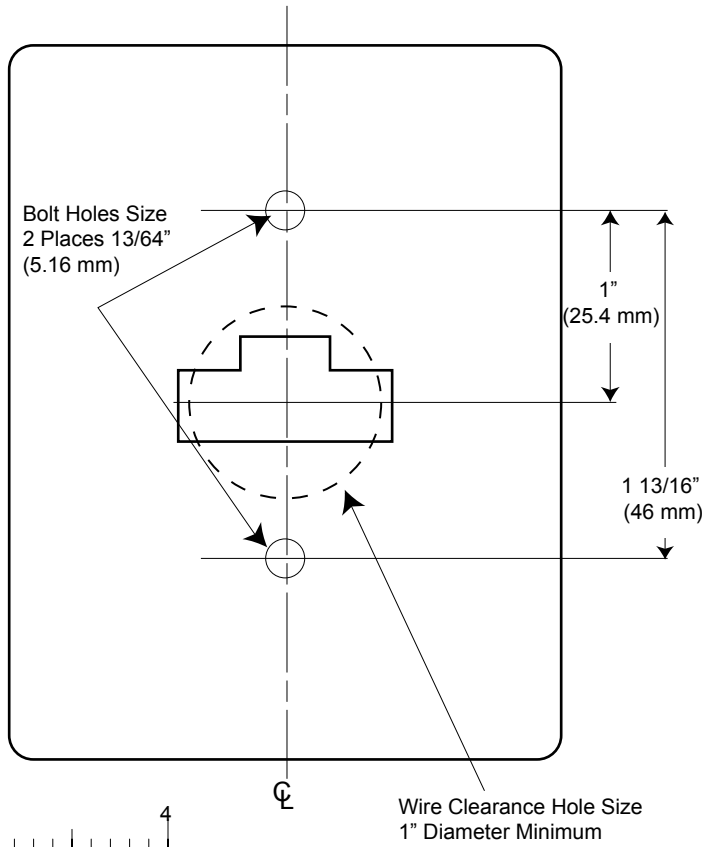


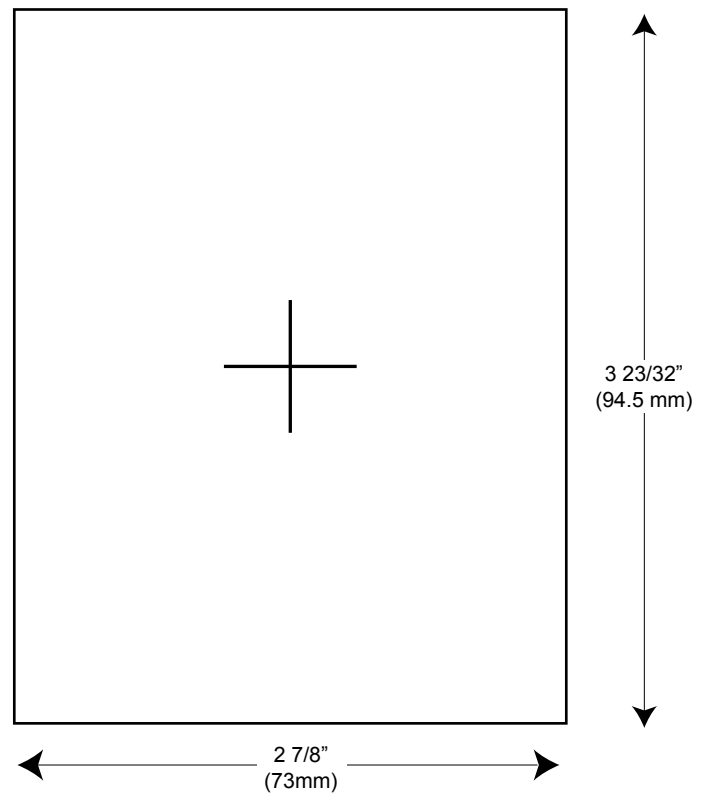
5757 Ravenswood Road  
 Ft. Lauderdale, FL 33312  
 +1 (954) 981-3333 Fax +1 (954) 983-5087  
 www.acrelectronics.com  
 info@acrelectronics.com

**RCL-300A**  
 Remote Control Searchlight System  
 Mounting Templates  
 Y1-03-0232-1 Rev. A

**URP-102 Point Pad  
 Surface Mount Template**



**URP-102 Point Pad  
 Flush Mount Template**  
 Use U-Clamp to secure  
 control switch



SCALE 1=1 (in.)  
 1=25.4 (mm)



Please Note: If mounting template is obtained from the ACR website, any electronic media, or from a photocopy, please verify the dimensions of the scale shown with actual measuring device. Duplicate templates may not be of true 1:1 scale. Any deviation should be considered when using mounting template.

