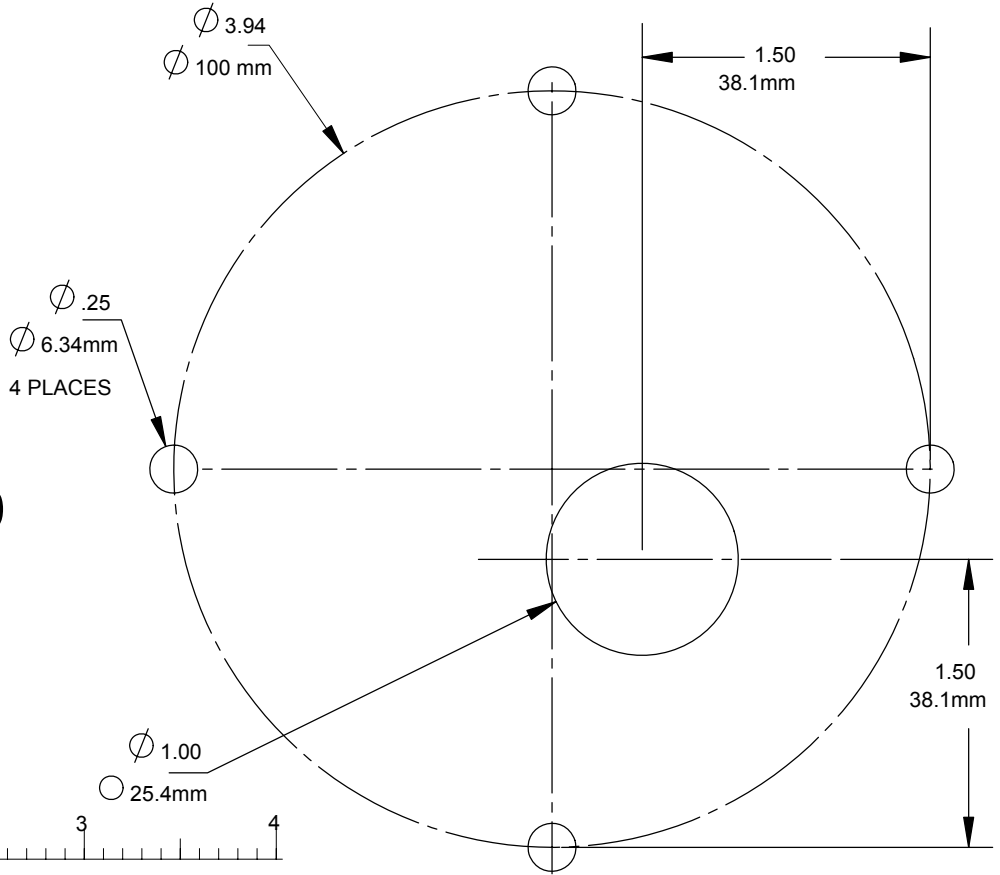


5757 Ravenswood Road
 Ft. Lauderdale, FL 33312
 +1 (954) 981-3333 Fax +1 (954) 983-5087
 www.acrelectronics.com
 info@acrelectronics.com

RCL-50 / RCL-100

Remote Control Searchlight System Mounting Templates

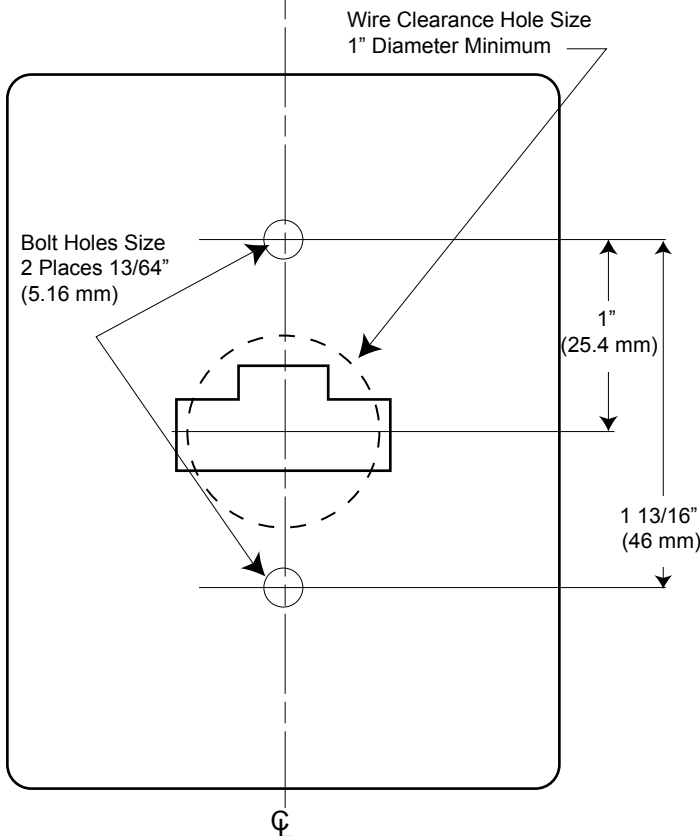
Y1-03-0138-1 Rev. F



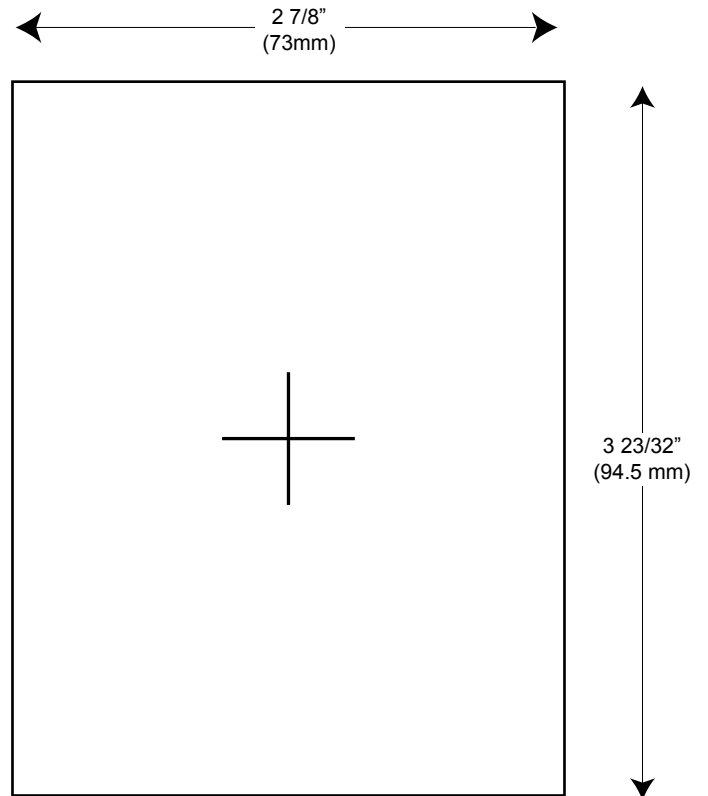
SEARCH LIGHT MOUNTING TEMPLATE

Please Note: If mounting template is obtained from the ACR website, any electronic media or from a photocopy, please verify the dimensions of scale shown with actual measuring device. Duplicate templates may not be of true 1:1 scale. Any deviation should be considered when using mounting template.

SCALE 1=1 (in.)
 1=25.4 (mm)



URP-102 Point Pad Surface Mount Template



URP-102 Point Pad Flush Mount Template
 Use U-Clamp to secure control switch